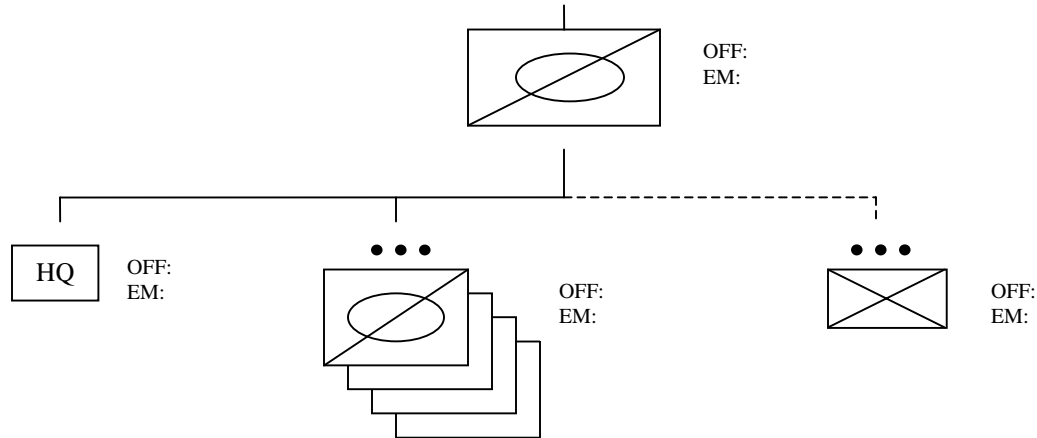


Lao Reconnaissance Squadron (~1953-54)

Source: Sananikone, Major General Oudone. The Royal Lao Army and U.S. Army Advice and Support. Washington, DC: US Army Center of Military History, 1981.



#	Weapons	#	Equipment
?	M18 57mm RR		
4	M2HB HMG		
8	M1919A4 MMG		

#	Vehicles	#	Aircraft
16	Jeep		
4	M3 Scout Car		
4	M8 Armored Car		
1	M21 MMC		
2	2 ½ Ton Truck		

Squadron HQ	M21 MMC
--------------------	---------

Reconnaissance Platoon (x4)	4 Jeep, M3 Scout Car w/ M2HB HMG and 2 M1919A4 MMG, M8 Armored Car
------------------------------------	--

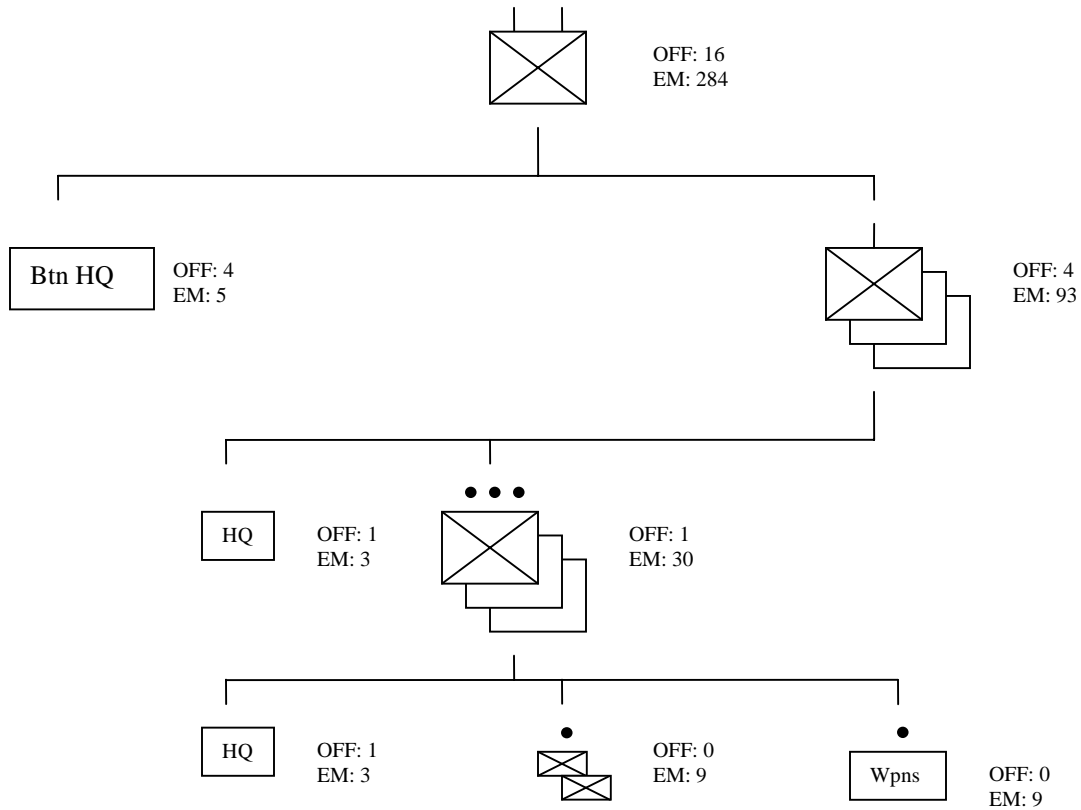
Infantry Platoon	2 2 ½ Ton Truck
-------------------------	-----------------

NOTES: The composition of the various subunits in this organization are not entirely clear in the source. The HQ element likely had more than the mortar carrier half track, but this is all that is mentioned specifically. M20 Scout Cars may also have been used. The jeeps and 2 ½ ton trucks are of unspecified types, by likely of US manufacture. The source mentions the attachment of a motorized infantry platoon added to the organization soon after the creation of the first of these reconnaissance squadrons. It is unclear

whether this was a task organization and whether it was standard for all operation squadrons. Also mentioned is the deployment of an unspecified number of 57mm RRs for use on the M3 Scout Cars and M21 MMC.

Lao Irregular Infantry Battalion (October 1971)

Source: Vongsavanh, Brigadier General Soutchay. RLG Military Operations and Activities in the Laotian Panhandle. Christianburg, VA: Dalley Book Service, 1981.



#	Weapons	#	Equipment
262	M16A1 Rifle		
27	M79 Grenade Launcher		
7	M1911A1 Pistol		
8	M60 MG		
9	60mm M19 Mortar		
3	57mm M18 RR		
?	M72 LAW		

Battalion HQ	
---------------------	--

Rifle Company HQ (x3)	
------------------------------	--

Rifle Platoon HQ (x9)	
------------------------------	--

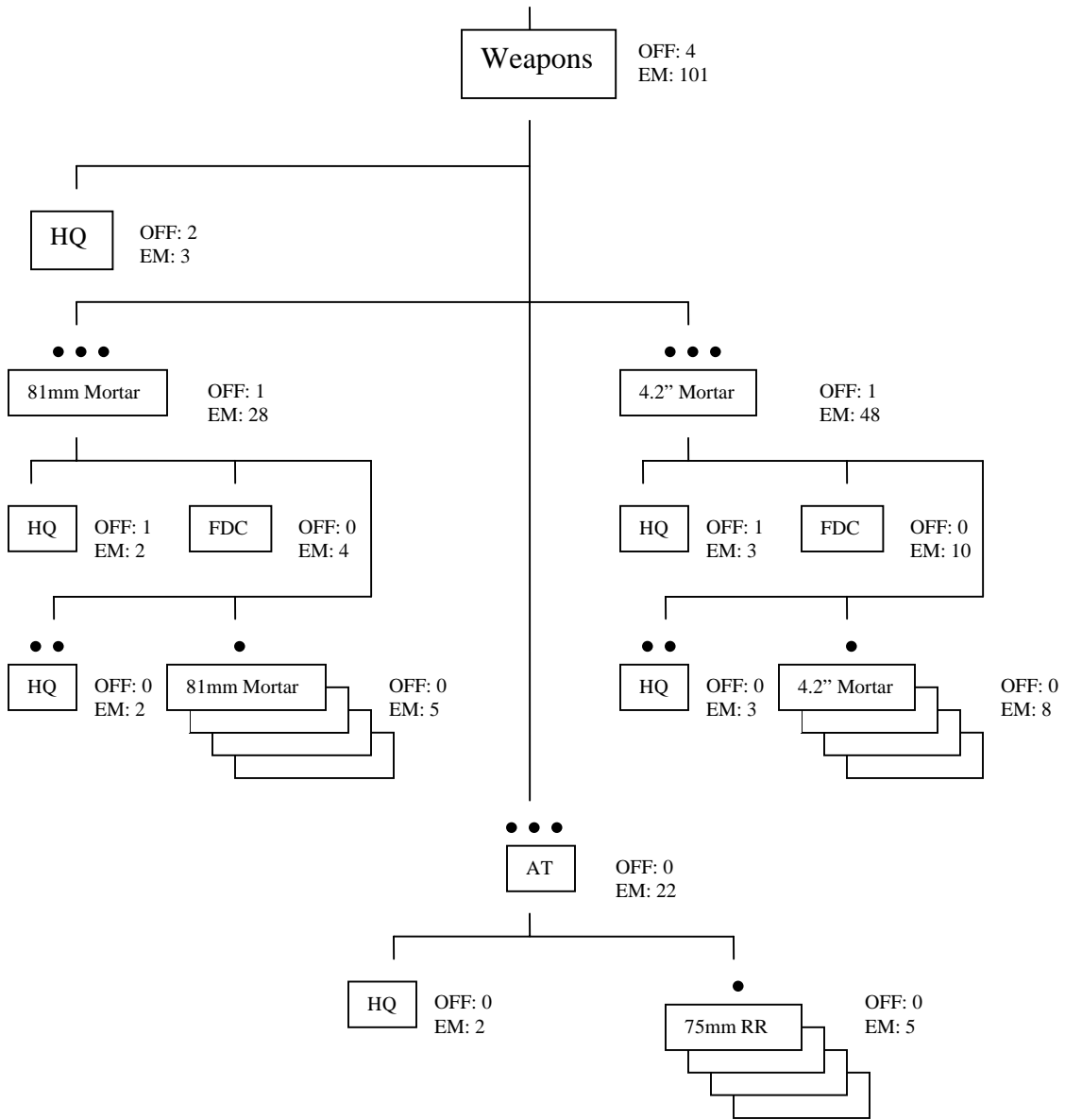
Rifle Squad (x18)	
--------------------------	--

Weapons Squad (x9)	
---------------------------	--

NOTES: By the end of 1971 Irregular Groupement Mobiles (GMs) were formed from the former US supported and supplied Special Guerrilla Units (SGUs). This process was part of an agreement between the Royal Lao Government and the Pathet Lao, that was supposed to reduce the participation of foreign forces, both North Vietnamese and American. A complete Irregular GM in this timeframe comprised of four infantry battalions and a weapons company (See following entry). LAWs were said to be issued as needed (more likely as available).

Lao Irregular Weapons Company (October 1971)

Source: Vongsavanh, Brigadier General Soutchay. RLG Military Operations and Activities in the Laotian Panhandle. Christianburg, VA: Dalley Book Service, 1981.



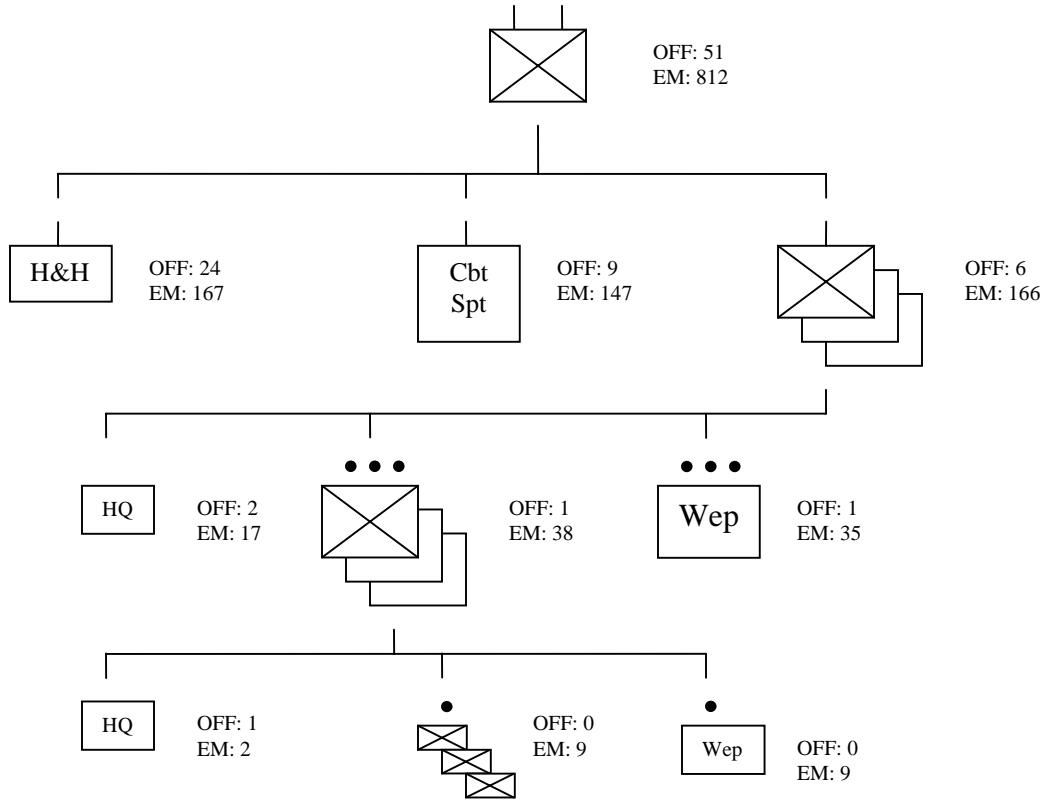
#	Weapons	#	Equipment
96	M16A1 Rifle		
12	M79 Grenade Launcher		
5	M1911A1 Pistol		
4	75mm M20 RR		
4	81mm M29 Mortar		
4	4.2" M30 Mortar		

Company HQ	
81mm Mortar Platoon HQ	
81mm Mortar Platoon FDC	
81mm Mortar Section HQ	
81mm Mortar Squad (x4)	
4.2" Mortar Platoon HQ	
4.2" Mortar Platoon FDC	
4.2" Mortar Section HQ	
4.2" Mortar Squad (x4)	
AT Platoon HQ	
AT Squad (x4)	

NOTES: By the end of 1971 Irregular Groupement Mobiles (GMs) were formed from the former US supported and supplied Special Guerrilla Units (SGUs). This process was part of an agreement between the Royal Lao Government and the Pathet Lao, that was supposed to reduce the participation of foreign forces, both North Vietnamese and American. A complete Irregular GM in this timeframe comprised of four infantry battalions (See previous entry) and a weapons company.

Philippine Army Battalion Combat Team (~1963-66)

Source: Weller, Jac. Fire and Movement: Bargain Basement Warfare in the Far East. Boulder, CO: Paladin Press, 2006



#	Weapons	#	Equipment
4	4.2" M2 Mortar <i>or</i> 4.2" M30 Mortar		
19	81mm M1 Mortar <i>or</i> 81mm M29 Mortar		
6	75mm M20 RR		
21	3.5" M20A1B1 Rocket Launcher		
18	M1919A4 MMG		
54	M1918A2 BAR		
270	M1 Rifle		
27	M1911A1 Pistol		
63	M7 Grenade Launcher		

Battalion HQ Company	
-----------------------------	--

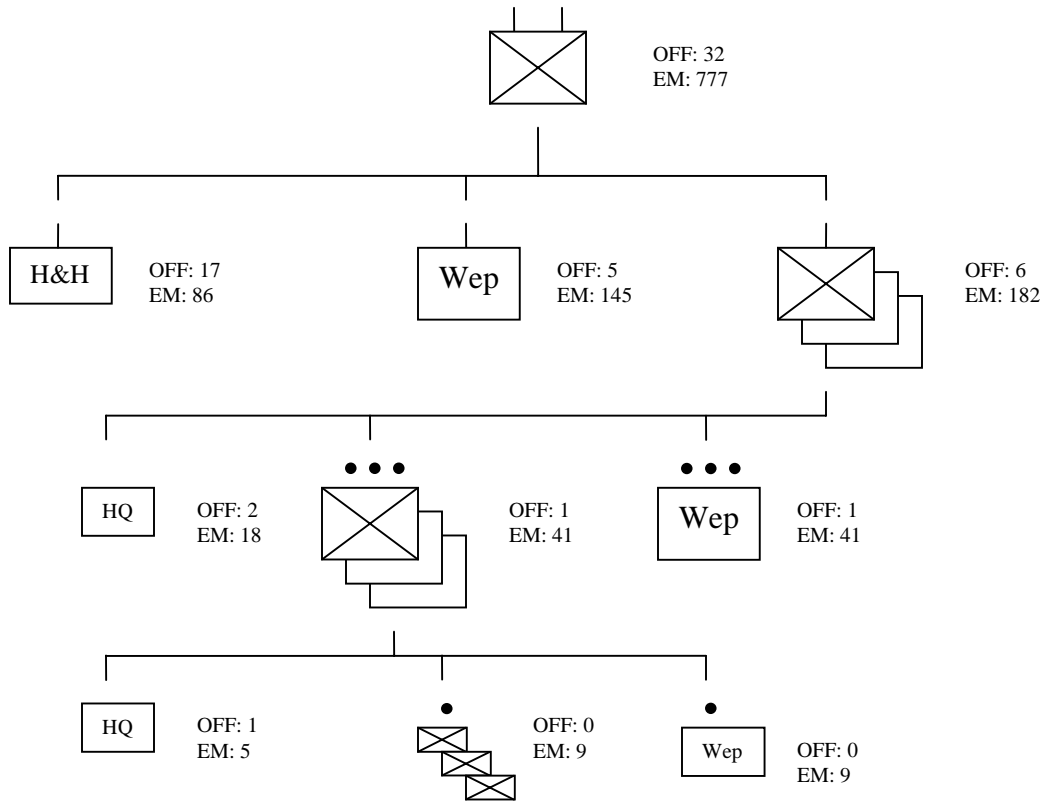
Combat Support Company	
-------------------------------	--

Rifle Company HQ (x3)	
Weapons Platoon (x3)	
Rifle Platoon HQ (x9)	
Rifle Squad (x27)	
Weapons Squad (x9)	

NOTES: Weapons figures are based on the number of individual weapons in the rifle platoons and heavy weapons in the battalion and company weapons platoons provided by the source. The personnel total for the Battalion Headquarters and Headquarters Company is based on total personnel, and it is likely that standard administrative, supply, etc type units were also present in addition to the fighting units. The Combat Support Company was likely broken down into a headquarters and separate elements for mortars and recoilless rifles, but this is not described in the source in detail.

South Korean Army Rifle Battalion (~1963-66)

Source: Weller, Jac. Fire and Movement: Bargain Basement Warfare in the Far East. Boulder, CO: Paladin Press, 2006



#	Weapons	#	Equipment
6	81mm M1 Mortar <i>or</i> 81mm M29 Mortar		
8	M1919A4 MMG		
9	60mm M19 Mortar		
6	57mm M18 RR		
18	M1919A6 LMG		
9	3.5" M20A1B1 Rocket Launcher		
36	M1918A2 BAR		
288	M1 Rifle		
54	M1 Carbine		
63	M7 Grenade Launcher		

Battalion HQ Company	
-----------------------------	--

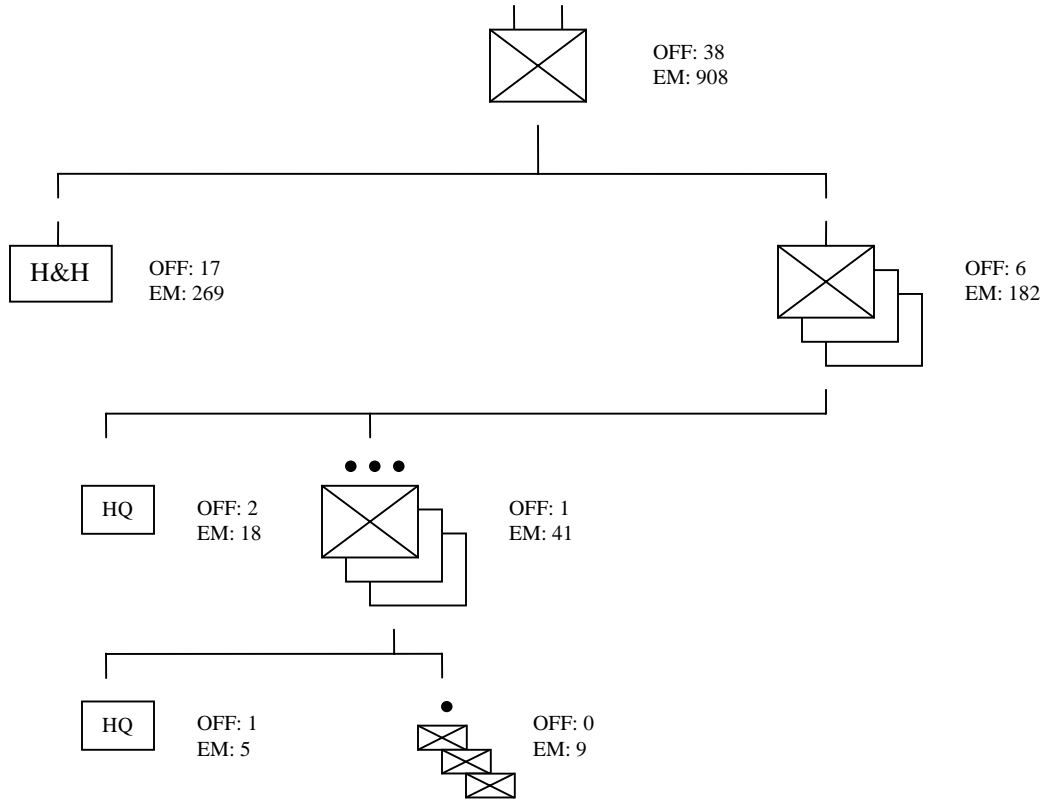
Battalion Heavy Weapons Company	
--	--

Rifle Company HQ (x3)	
Weapons Platoon (x3)	
Rifle Platoon HQ (x9)	
Rifle Squad (x27)	
Weapons Squad (x9)	

NOTES: Weapons figures are based on the number of individual weapons in the rifle platoons and heavy weapons in the battalion and company weapons platoons provided by the source. The personnel total for the Battalion Headquarters and Headquarters Company is based on total personnel, and it is likely that standard administrative, supply, etc type units were also present in addition to the fighting units. The Battalion Weapons Company was likely broken down into a headquarters and separate elements for machine guns and mortars, but this is not described in the source in detail.

South Korean Marine Rifle Battalion (~1963-66)

Source: Weller, Jac. Fire and Movement: Bargain Basement Warfare in the Far East. Boulder, CO: Paladin Press, 2006



#	Weapons	#	Equipment
8	81mm M1 Mortar <i>or</i> 81mm M29 Mortar		
6	106mm M40 RR		
9	60mm M19 Mortar		
24	M1919A4 MMG		
9	3.5" M20A1B1 Rocket Launcher		
81	M1918A2 BAR		
324	M1 Rifle		
90	M7 Grenade Launcher		

Battalion HQ Company	
-----------------------------	--

Rifle Company HQ (x3)	
------------------------------	--

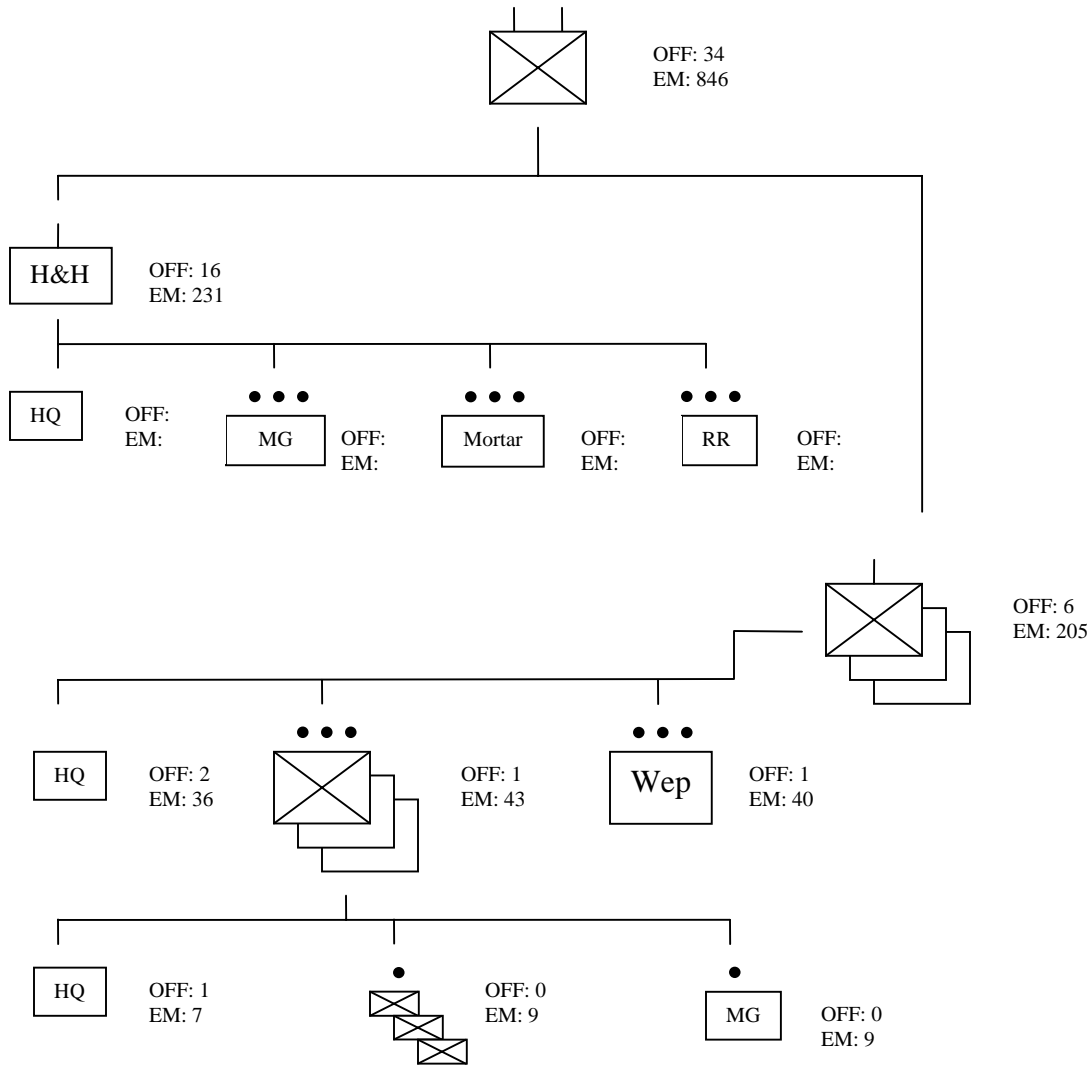
Rifle Platoon HQ (x9)	
------------------------------	--

Rifle Squad (x27)	
--------------------------	--

NOTES: Weapons figures are based on the number of individual weapons in the rifle platoons and heavy weapons in the battalion and company weapons platoons provided by the source. The personnel total for the Battalion Headquarters and Headquarters Company is based on total personnel, and it is likely that standard administrative, supply, etc type units were also present in addition to the fighting units. The source notes that heavy weapons assigned to the battalion were contained within the headquarters company, but offers no details as to a likely substructure within the company.

Thai Army Rifle Battalion (~1963-66)

Source: Weller, Jac. Fire and Movement: Bargain Basement Warfare in the Far East. Boulder, CO: Paladin Press, 2006



#	Weapons	#	Equipment
3	81mm M1 Mortar <i>or</i> 81mm M29 Mortar	3	M81 Rifle Scope <i>or</i> M82 Rifle Scope <i>or</i> M84 Rifle Scope
6	M1919A4 MMG		
3	75mm M20 RR		
3	60mm M19 Mortar		
3	57mm M18 RR		
3	3.5" M20A1B1 Rocket Launcher		
6	M1919A6 LMG		

27	M1918A2 BAR		
297	M1 Rifle		
36	M1 Carbine		
36	M1911A1 Pistol		
72	M7 Grenade Launcher		

Battalion HQ	
---------------------	--

Machine Gun Platoon	
----------------------------	--

Mortar Platoon	
-----------------------	--

Recoilless Rifle Platoon	
---------------------------------	--

Company HQ (x3)	
------------------------	--

Weapons Platoon (x3)	
-----------------------------	--

Rifle Platoon HQ (x9)	
------------------------------	--

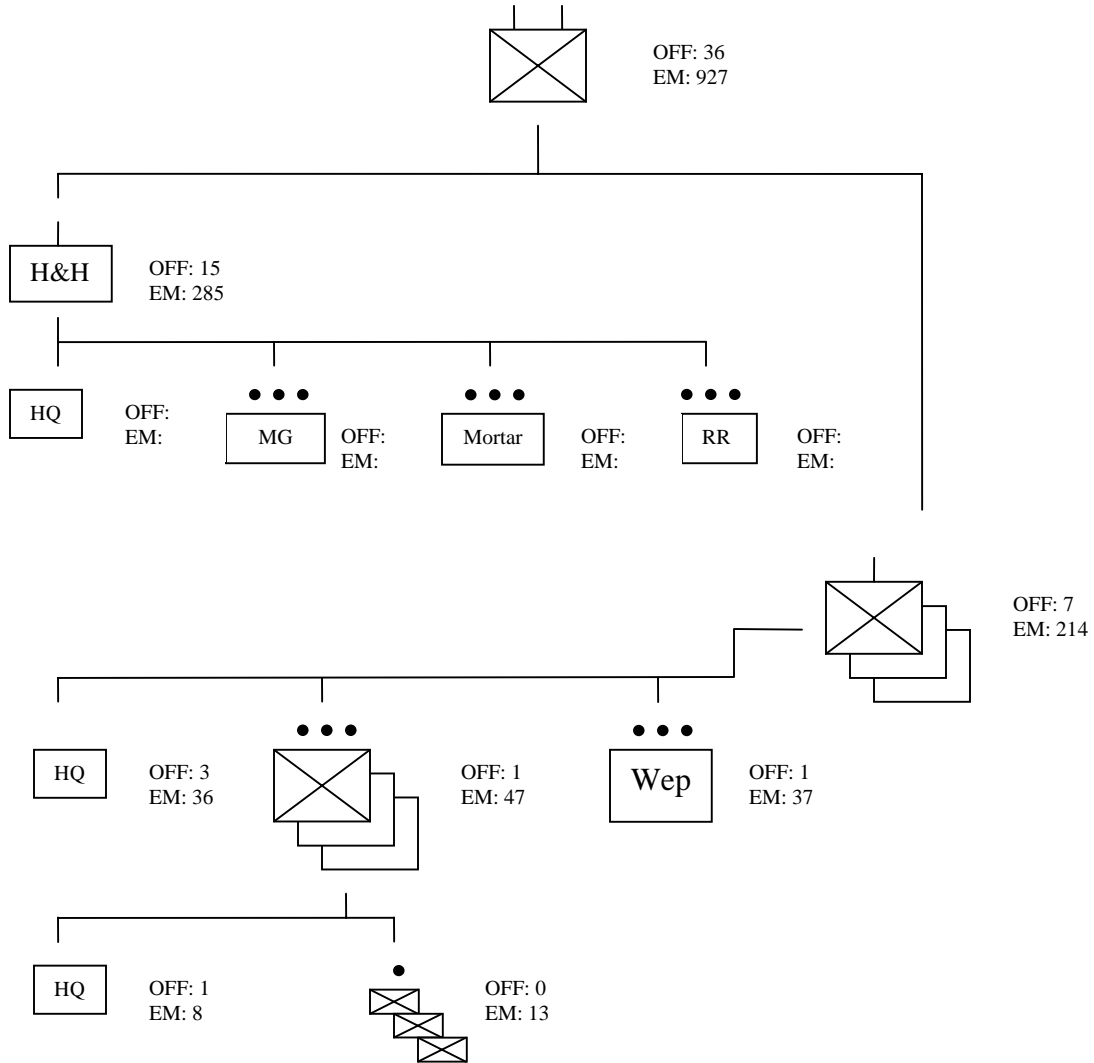
Rifle Squad (x27)	
--------------------------	--

Machine Gun Squad (x9)	
-------------------------------	--

NOTES: Weapons figures are based on the number of individual weapons in the rifle platoons and heavy weapons in the battalion and company weapons platoons provided by the source. The personnel total for the Battalion Headquarters and Headquarters Company is based on total personnel, and it is likely that standard administrative, supply, etc type units were also present in addition to the fighting units.

Thai Marine Rifle Battalion (~1963-66)

Source: Weller, Jac. Fire and Movement: Bargain Basement Warfare in the Far East. Boulder, CO: Paladin Press, 2006



#	Weapons	#	Equipment
6	81mm M1 Mortar <i>or</i> 81mm M29 Mortar		
2	M2HB HMG		
4	75mm M20 RR		
6	Infantry Flame Thrower		
3	60mm M19 Mortar		
2	3.5" M20A1B1 Rocket Launcher		
6	M1919A4 MMG		
81	M1918A2 BAR		
270	M1 Rifle		

54	M1 Carbine		
90	M7 Grenade Launcher		

Battalion HQ	
---------------------	--

Machine Gun Platoon	
----------------------------	--

Mortar Platoon	
-----------------------	--

Recoilless Rifle Platoon	
---------------------------------	--

Company HQ (x3)	
------------------------	--

Weapons Platoon (x3)	
-----------------------------	--

Rifle Platoon HQ (x9)	
------------------------------	--

Rifle Squad (x27)	
--------------------------	--

NOTES: Weapons figures are based on the number of individual weapons in the rifle platoons and heavy weapons in the battalion and company weapons platoons provided by the source. The personnel total for the Battalion Headquarters and Headquarters Company is based on total personnel, and it is likely that standard administrative, supply, etc type units were also present in addition to the fighting units. The Thai Marine Battalion is supposed to have six infantry flame throwers (likely of US manufacture) in its Headquarters Company. How these were assigned is unclear from the source.